

FCE Project #	2685	Date Performed:	8/21/25
Client:	Elena Haluilin		
Location:	144 Steep Hill Road, Weston		
Observed by:	Wayne D'Avanzo		
Test Hole 1:			
	0-5"	Topsail	
	5-23"	Brown Sandy Loam	
	23-48"	Dark Silt and Gravel	
	Ground Water @ 34"		
	Mottling @ 32"		
	No Ledge		
	Roots to 21"		

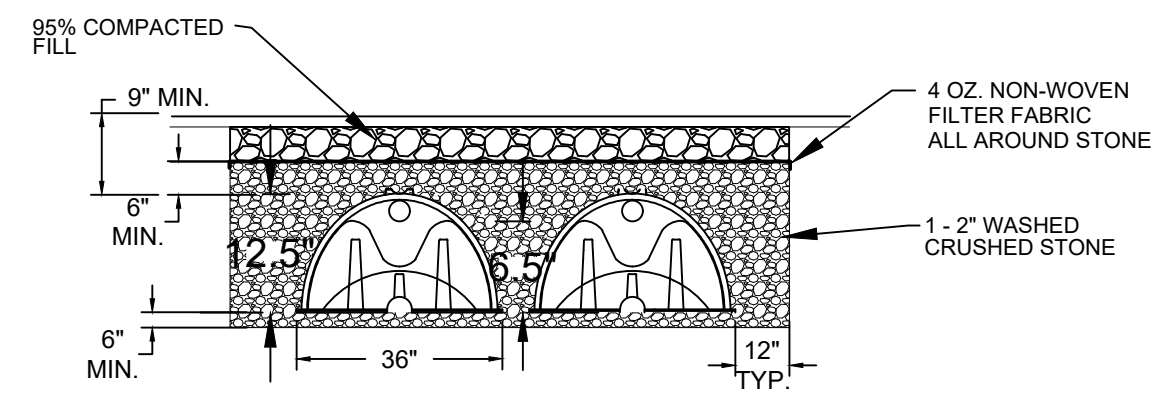
Conducted by:	Wayne D'Avanzo	Project:	2685
Location:	144 Steep Hill Road	Town:	Weston
Client:	Elena Haluilin	Date:	8/21/25

Weather conditions prior to and during tests:
Clear

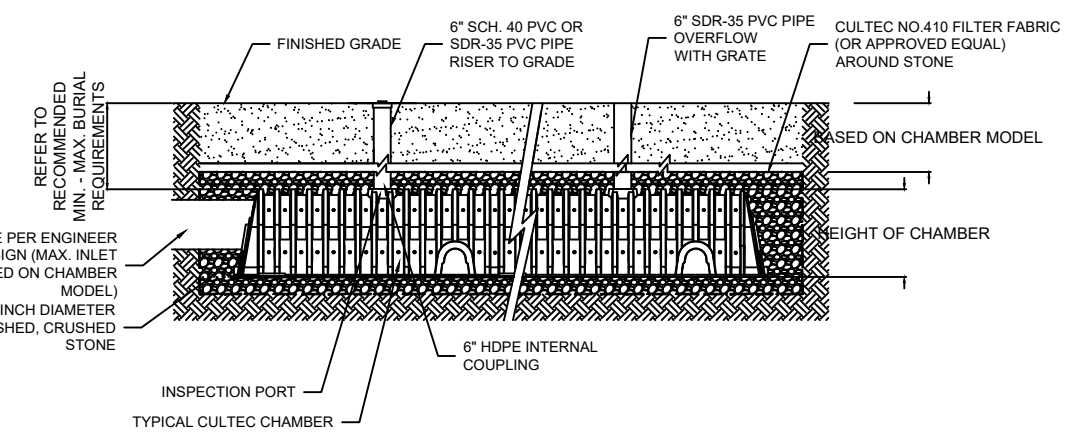
Single Lot:	X	Subdivision:	
Diameter of Hole:	8"	Depth of Hole:	22"

PT-1
Pre-Soak @: 10:00 AM
Design
2.25"/Hr. (2.0)

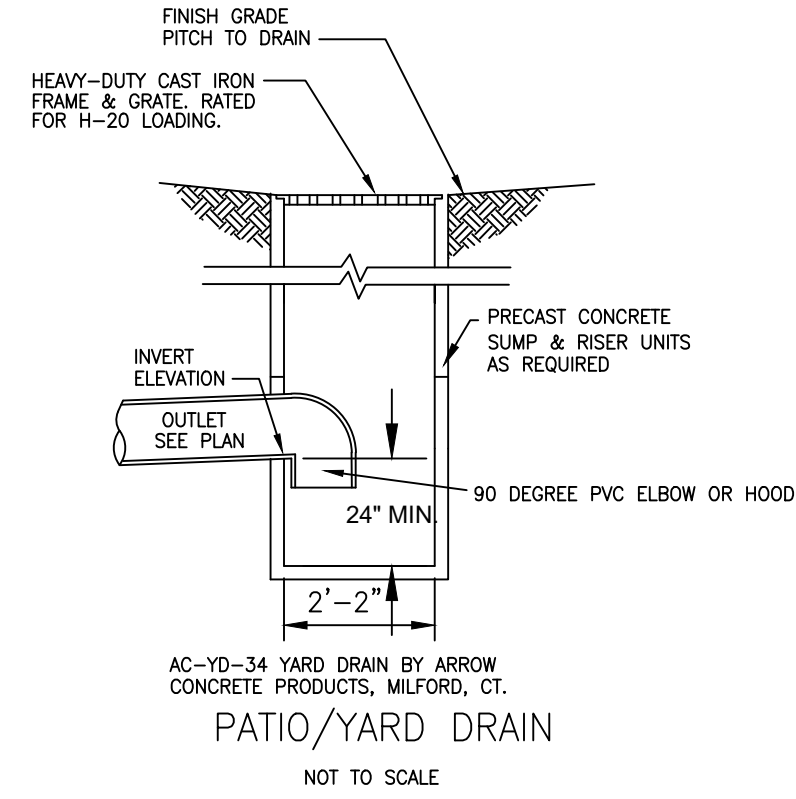
Time	Time Increment	Depth to Water	Drop in inches	Soil Percolation Rate Time to drop 1 inch
11:10 AM	----	4"	----	----
11:20 AM	10 Min.	8"	4"	2.5 Min.
11:30 AM	10 Min.	11"	3"	3.3 Min.
11:40 AM	10 Min.	13 1/4"	2 1/4"	4.4 Min.
11:50 AM	10 Min.	14 3/4"	1 1/2"	6.7 Min.
12:00 PM	10 Min.	15 3/4"	1"	10.0 Min.
12:10 PM	10 Min.	16 1/2"	3/4"	13.3 Min.



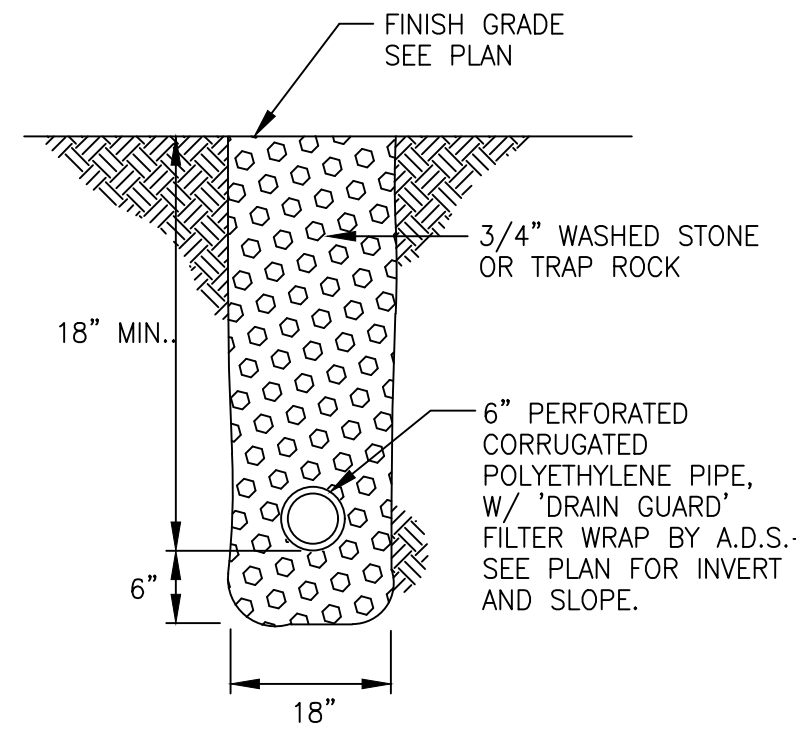
CULTEC CONTRACTOR C 100
TYPICAL CROSS SECTION



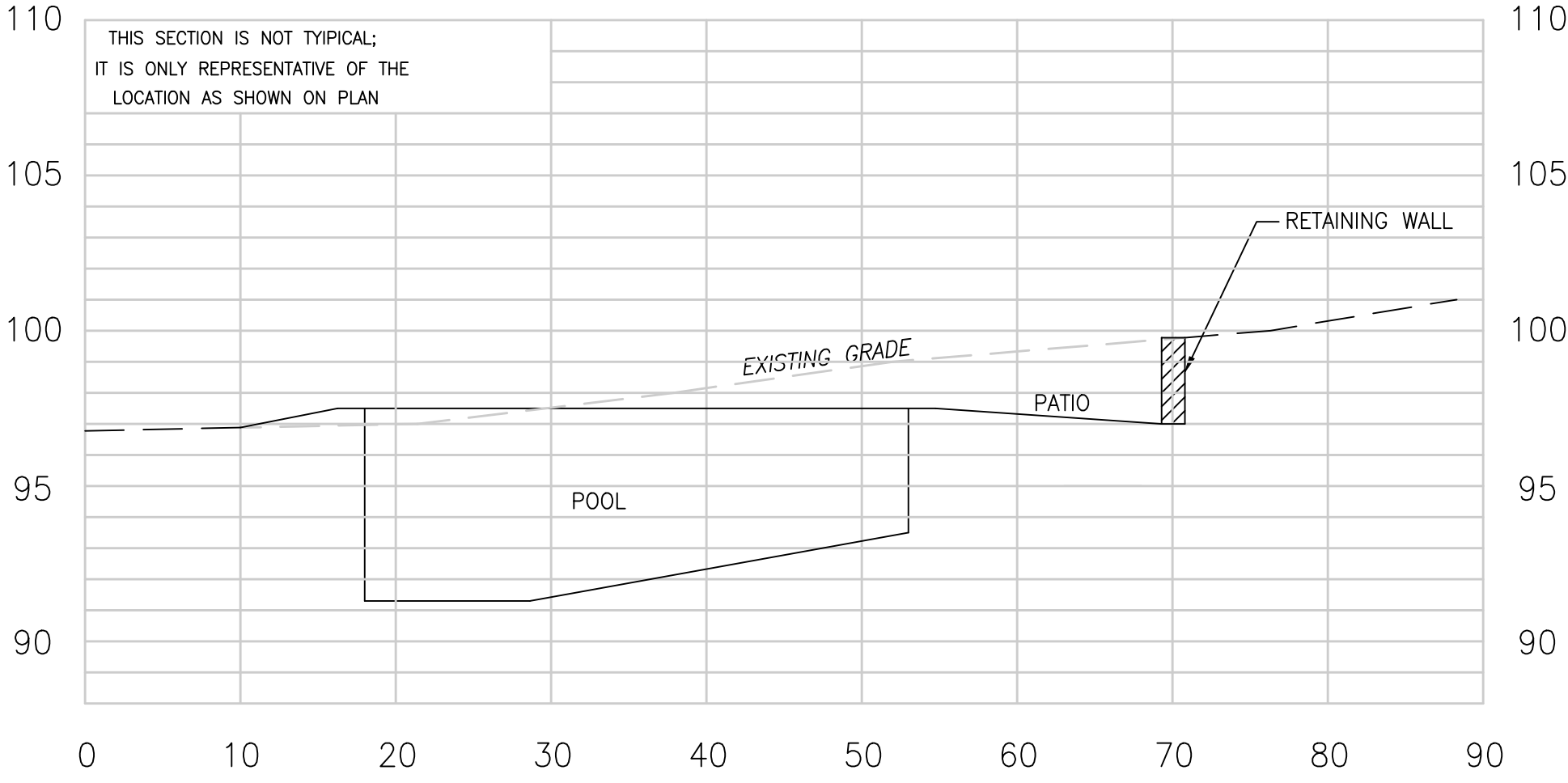
CULTEC INSPECTION PORT AND OVERFLOW
(AS APPLICABLE)



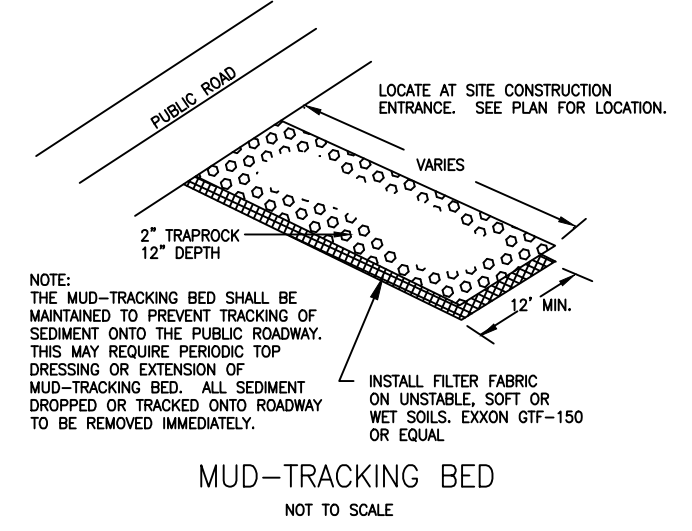
PATIO/YARD DRAIN
NOT TO SCALE



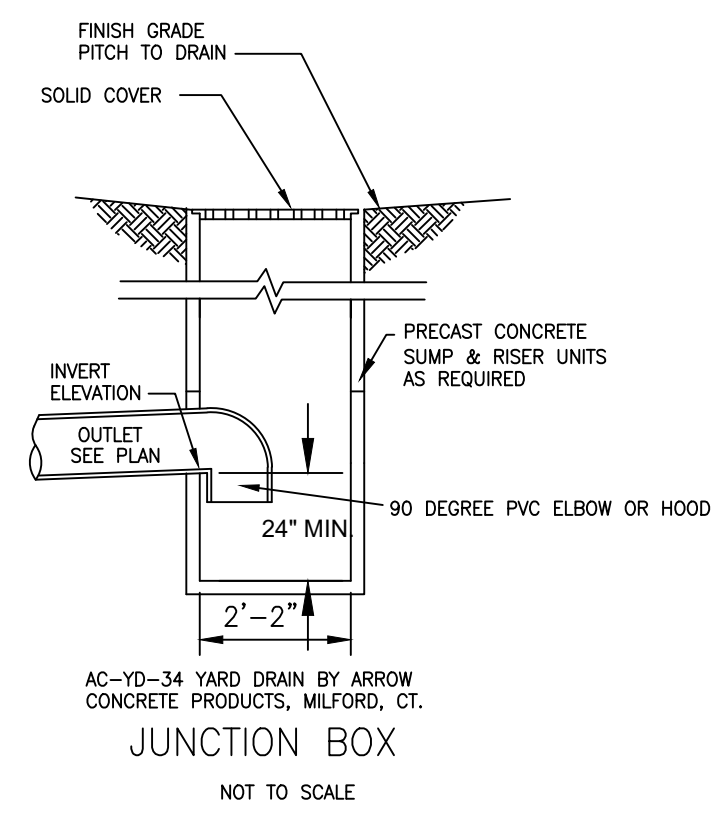
CURTAIN DRAIN
NOT TO SCALE



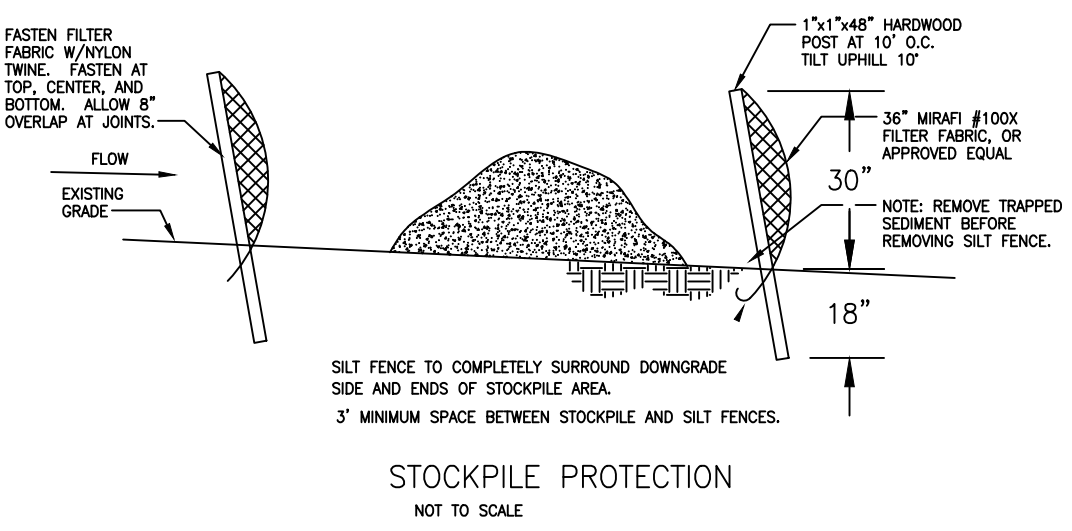
SECTION A-A
SCALE- H: 1"=10'
V: 1"=5'



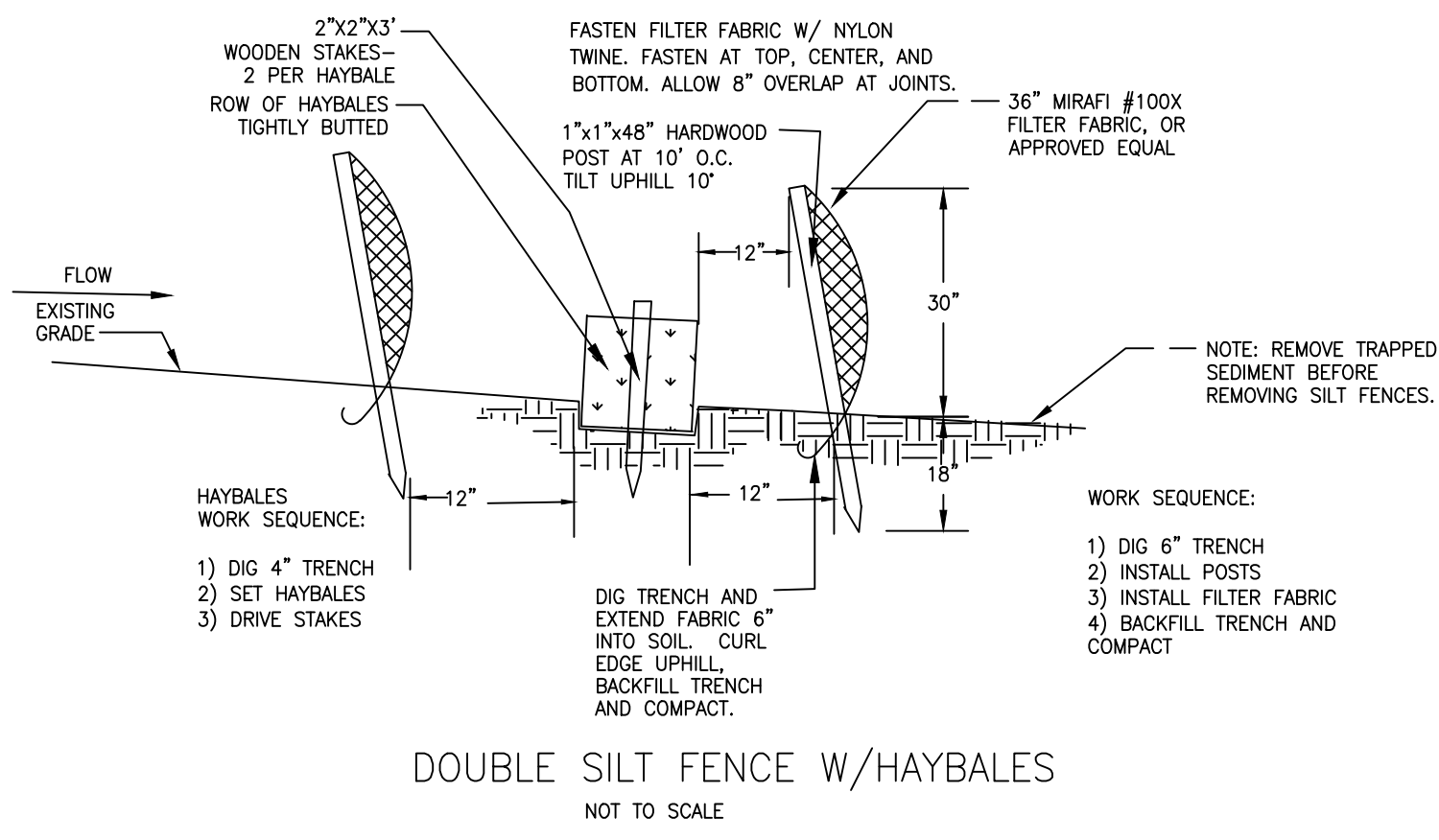
MUD-TRACKING BED
NOT TO SCALE



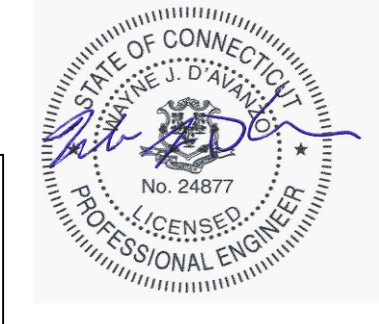
JUNCTION BOX
NOT TO SCALE



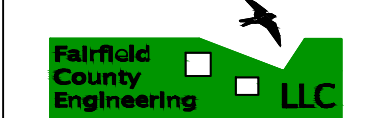
STOCKPILE PROTECTION
NOT TO SCALE



DOUBLE SILT FENCE W/HAYBALES
NOT TO SCALE



8-21-25
date



FAIRFIELD COUNTY ENGINEERING L.L.C.
60 WINFIELD STREET, NORWALK, CONNECTICUT 06855 PH: (203) 831-8005 FAX: (203) 831-8006

REV. 10/6/25: PER CONSERVATION COMMENTS.
ELENA HALUILIN
144 STEEP HILL ROAD WESTON, CONNECTICUT

DETAIL SHEET

CIVIL ENGINEERS

2685 project
2 OF 2 sheet